

POLKA

POLKA – CC

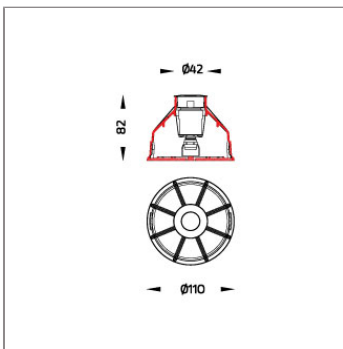
INGROUND

 **Unilamp**

LAST UPDATE: 05-08-2024



The POLKA family of projectors and ground-recessed luminaires is characterized by a small size. The forged aluminum housing exhibits exceptional strength against mechanical impact and corrosion resistance. Several light distributions and color temperatures are available as a standard option. POLKA is equipped with the UniBlock anti-humidity kit for improved reliability and resilience against ingress of moisture. POLKA is also available in stainless steel, refer to the ATOM family for details.



Technical Data



| | |
|-----------------------|-------------------------------|
| Ordering Code : | 9081-B-2-989-13 |
| Lamp : | LED |
| Beam : | 28° |
| CCT : | 3000 K |
| CRI : | CRI >80 |
| SDCM : | SDCM = 3 |
| Lamp Lumen : | 260 lm |
| Luminaire Lumen : | 120 lm |
| Lamp Wattage : | 2.1 W[700mA] |
| Luminaire Wattage : | 2.1 W |
| Efficacy : | 57 lm/W |
| Ambient Temperature : | 50°C |
| Lumen Maintenance | L80B10 >108,000 h |
| Controller : | Remote |
| Input Voltage : | 700mA, 2.98Vdc, Uin max 50Vdc |
| Net Weight : | - kg. |

Ordering code guide

XXXX-X-X-XXX-XX
A B C D E

- A Product Code
- B Reflector
- C Electrical Component
- D Lamp
- E Color



Icon definition

*Due to the constancy of product development, we reserve the right to alter all specification without prior notice.

POLKA

POLKA – CC

INGROUND

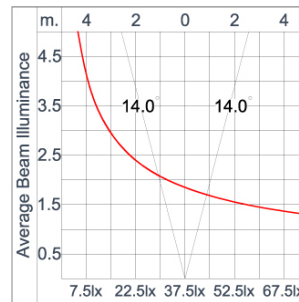
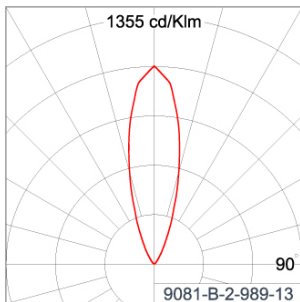
 **Unilamp**

LAST UPDATE: 05-08-2024

Specification

| | |
|-------------------------|--|
| IEC Standard | IEC 60598-1 General Requirement IEC 60598-2-13 Ground Recessed Luminaires |
| Protection | IP67 Class III |
| Luminaires Body Housing | Extruded Aluminium 56063 alloy body with low copper content. Recessed housing made of GFR polymer. |
| Diffuser | Tempered safety glass cover |
| Gasket | Durable silicone gasket |
| External Screws | External screws made of stainless steel |
| Led | High efficiency LED module |
| Driver | Driver is not included and has to be ordered separately. |
| Pre-Wire Cable | Pre-wired with 2x0.5mm. cable |
| Caution | Installation work has to be carried on according to the enclosed installation manual. The water drainage system must be tested to ensure that it is working sufficiency and efficiency. |

Light Distribution



*Due to the constancy of product development,
we reserve the right to alter all specification
without prior notice.

POLKA

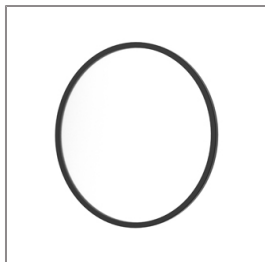
POLKA – CC

INGROUND

The Unilamp logo consists of a white bell icon inside a square, followed by the word "Unilamp" in a white, bold, sans-serif font, all set against a red rectangular background.

LAST UPDATE: 05-08-2024

Accessories



Ordering Code:
AUN-SOF-0055-00
Softening filter, LED,
pre-assembly from factory



Ordering Code:
AUN-CON-0024-00
IP68 Connector, cable
diameter 4.8-6mm,
gel-filled



Ordering Code:
AUN-GOP-0101-01
LED constant current
driver, 700mA, 4W, with
IP67 GFR polymer
enclosure, On-Off



Ordering Code:
AUN-CON-0007-00
IP68 distribution box,
series wiring, for 1-3
luminaires